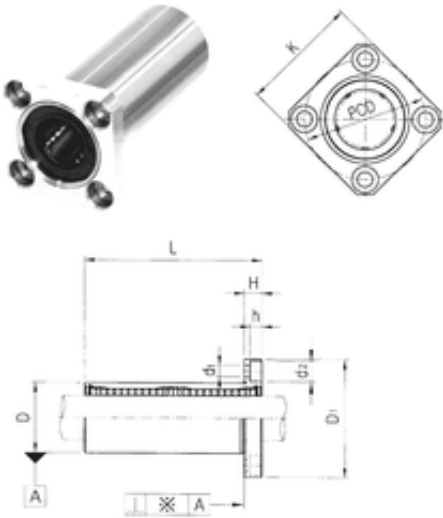




Tnb industrial Partners Manufacturing...



LMEK50L Bearing 2D drawings and 3D CAD models

Samick LMEK50L Cojinetes Lineales

Bearing No. LMEK50L

Bore Diameter	50 mm
Outer Diameter	75 mm
d	50 mm
D	75 mm
K	9 mm
d1	14 mm
d2	8,6 mm
h	88 mm
D1	112 mm
H	13 mm
L	192 mm
PCD	94 mm
Tolerance perpendicularity (C)	20
Weight	3,5 Kg
Basic dynamic load rating (C)	6080 kN