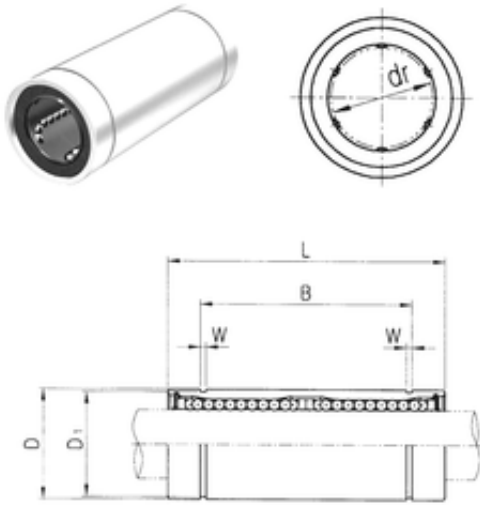




Tnb industrial Partners Manufacturing...



20 mm x 32 mm x 61 mm Samick LME20L Cojinetes Lineales

Bearing No. LME20L

Size	20x32x61 mm
Bore Diameter	20 mm
Outer Diameter	32 mm
Width	61 mm
d	20 mm
D	32 mm
B	61 mm
D1	30,3 mm
L	80 mm
W	1,6 mm
Weight	0,18 Kg
Basic dynamic load rating (C)	1,4 kN

LME20L Bearing 2D drawings and 3D CAD models